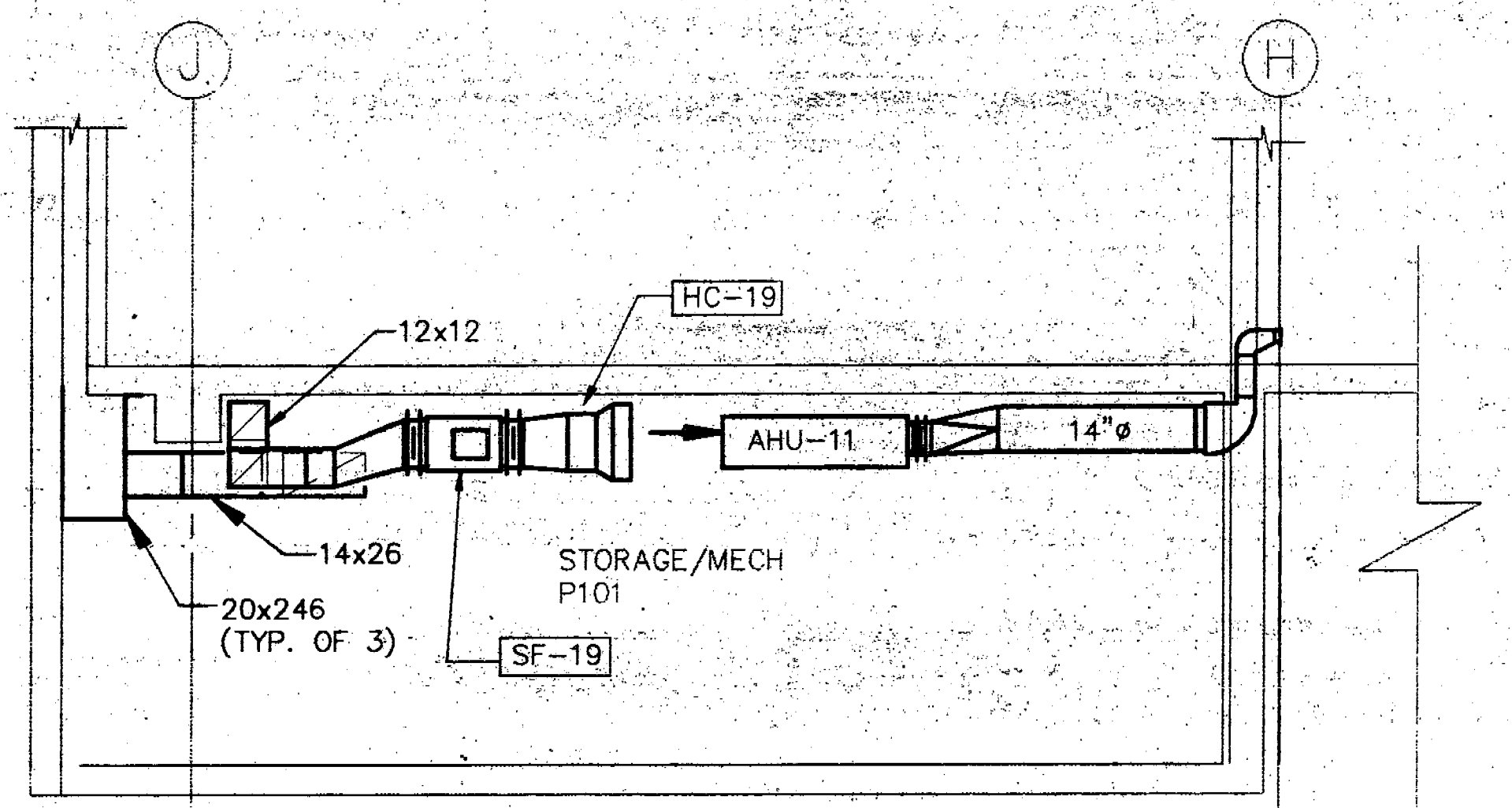
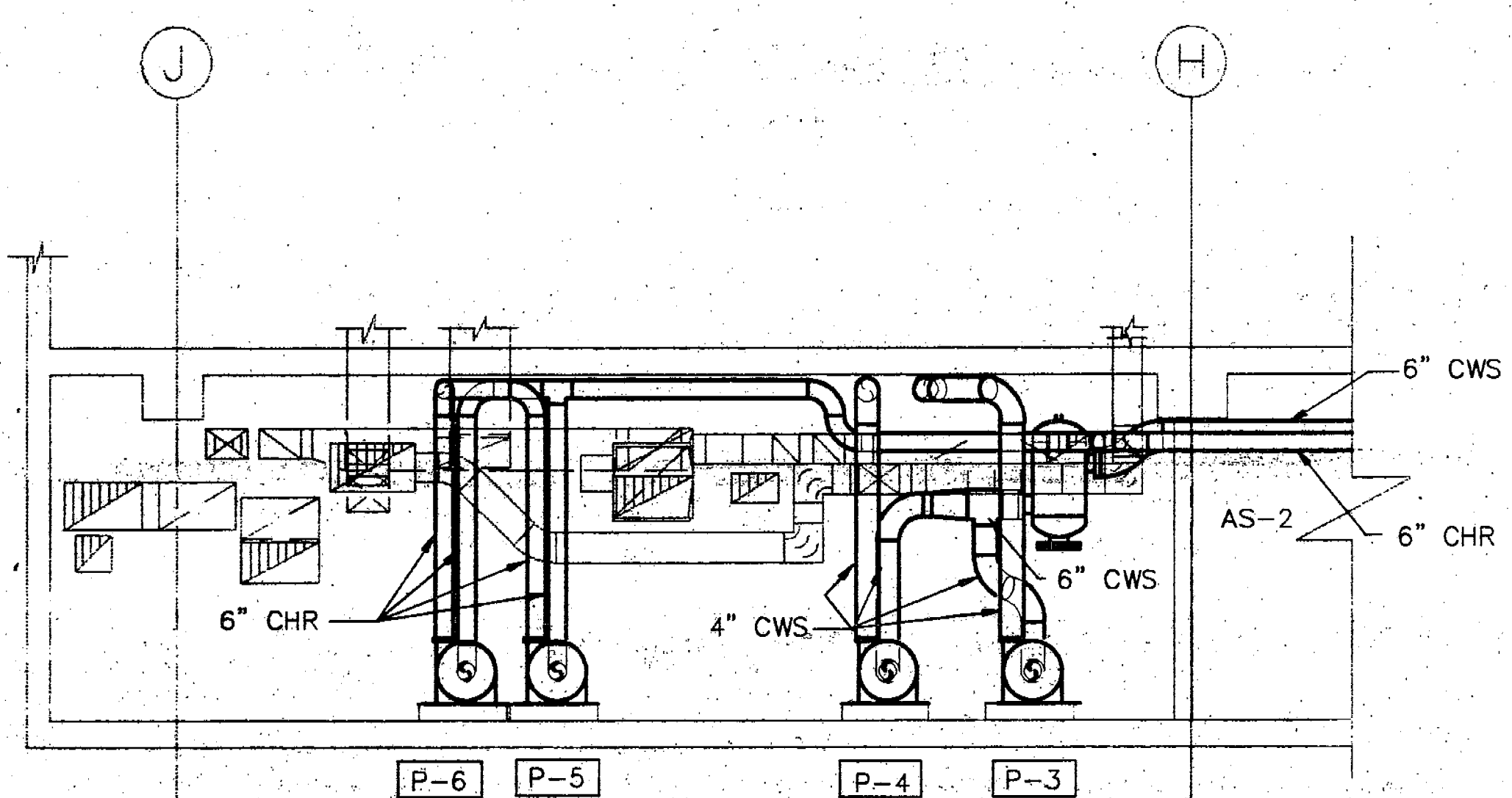


DRIP PAN IS REQUIRED UNDER COIL (TYP. OF 5). DRIP PAN TO BE PIPED WITH TRAP TO NEAREST DRAIN.

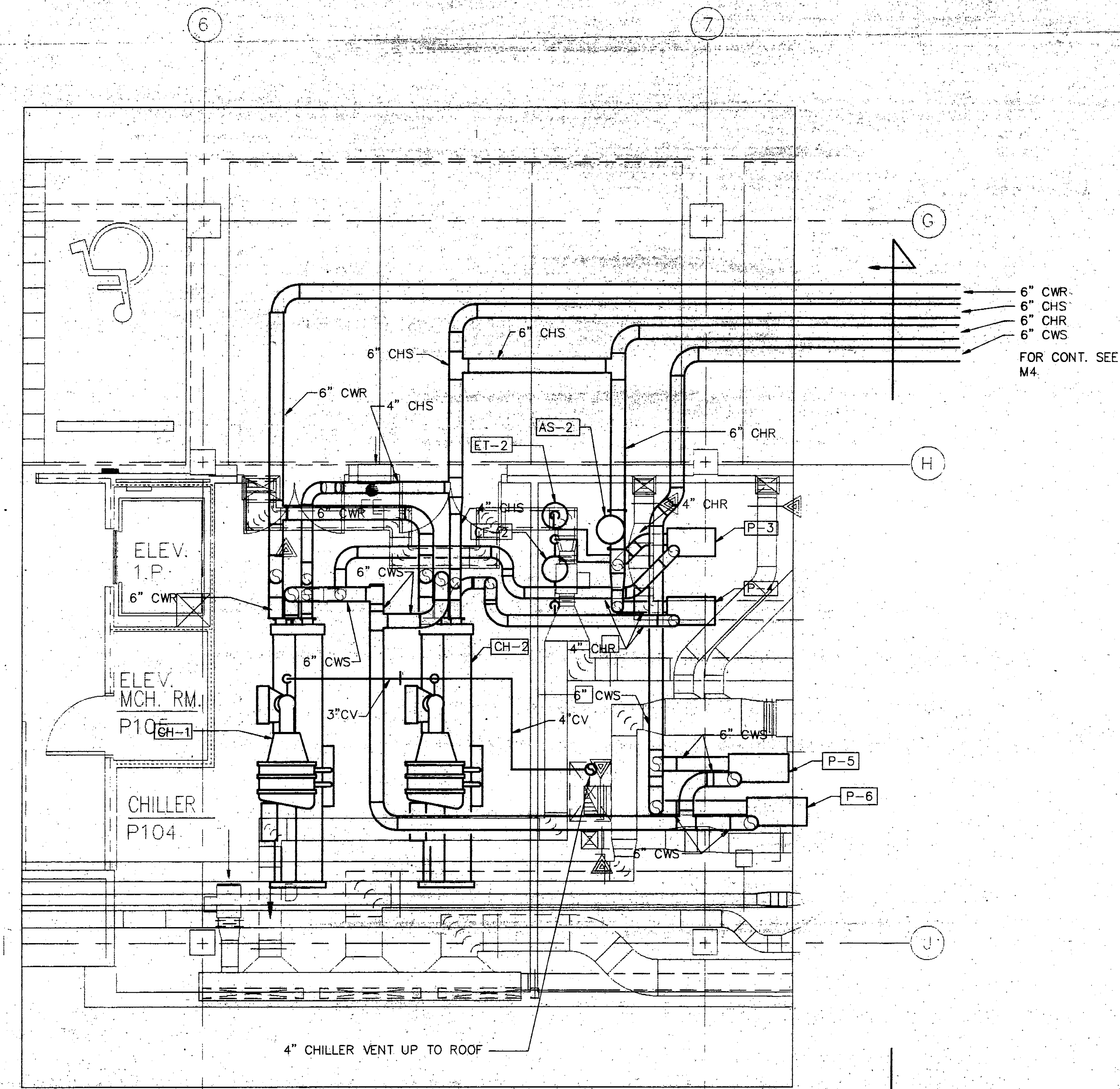
SECTION A
1/4"=1'-0" M3.5/M3.7



SECTION B
1/4"=1'-0" M3.5/M3.7



SECTION C
1/4"=1'-0" M3.7/M3.7



LOWER LEVEL CHILLED WATER AND CONDENSER WATER PIPING PLAN
1/4"=1'-0"

SHEET NOTE:
INSTALL CHILLER VENT AS PER MANUFACTURER'S INSTRUCTION WITH RUPTURE DISC ASSEMBLY, PURGE DISCHARGE VENT LINE, FLEXIBLE STEEL CONNECTION, DRIP LEG AND DRAIN VALVE.

NOTKIN ENGINEERING, INC.
4th & Vine Bldg.
2615 4th Ave, Suite 420
Seattle, WA 98101
OFF: 206/448-1911
FAX: 206/448-9485

NOTKIN ENGINEERING, INC.	Date: FEBRUARY 3, 1992
4th & Vine Bldg. 2615 4th Ave, Suite 420 Seattle, WA 98101 OFF: 206/448-1911 FAX: 206/448-9485	Revision No. 25
Design Department: RWW Technical Department: LTC Job Captain: LTC Drawn By: LTC	BID SET
Architecture/Planning/Interior Design ZIMMER, GUNSUL, FRASCA PARTNERSHIP Newport Beach Seattle Portland	LOWER LEVEL MECHANICAL ROOM AND SECTION
BELLEUE LIBRARY	KING COUNTY LIBRARY SYSTEM
McKINSTRY CO. "AS-BUILT" RECORD	M3.7

TOM G. FERLAND
PROFESSIONAL ENGINEER
EXPIRES 7-11-83
Job No. 4050-1